



# C851

Fast sliding gates gearmotor

**FAAC**  
*Simply automatic.*

# C851

Industrial sliding gates  
garmotor:  
Fast, Powerful,  
Easy to install and set-up

Operates industrial sliding gates weighing up to 1800Kg with a speed (adjustable) up to 0.7 m/s and a maximum recommended length of 20m.

Ideal for stores, warehouses, malls, prisons, embassies, or any application in which Fast Operation and Continuous Duty (100%) can be requested.

Powerful garmotor: 1.1KW irreversible garmotor + electric brake.

E850S control panel with integrated frequency inverter able to independently manage opening and closing running speeds.

Integrated full feature control panel protected by plastic covers.

2 integrated limit switches to manage deceleration positions.

2 external magnetic limit switches, installed on the rack, as maximum end of travel position precision

Galvanised steel operator base with 5 fixing points.

Slot holes and height adjustment pins to permit full operator position adjustment.

1.5mm steel cover with zinc primer protection treatment plus powder coated painting.

In the event of power failure an easy manual release operation makes it possible to move the gate manually.

The manual release device can be activated from the outside of the operator without removing the cover.



## PRECISE DECELERATION

Two integrated mechanical limit switches with fine adjustment to guarantee precise deceleration.

Plastic protection for belt to prevent finger injury.



## INTEGRATED E850S CONTROL BOARD

Integrated full feature control panel, easy to program through display and buttons, full range of operating logics available. Control panel protected with dark and transparent covers to help service and maintenance.



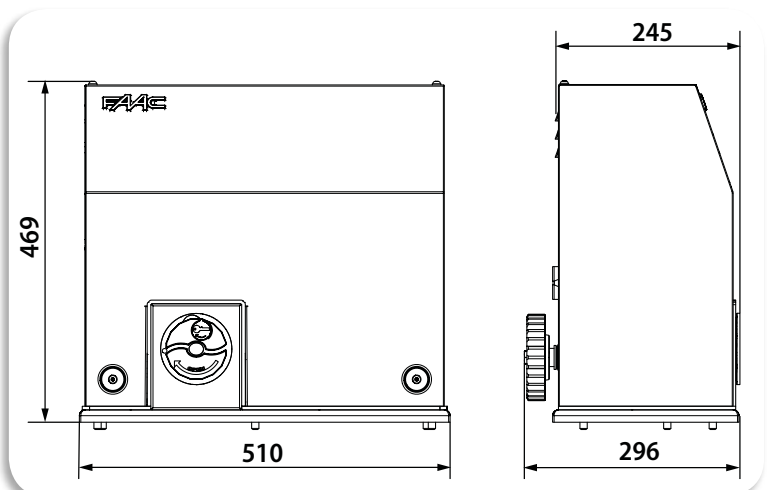
## INTEGRATED LIMIT SWITCH

External magnetic limit sensor switch, fixed on a stainless steel plate, to guarantee maximum precision of the end of run positions.



## IRREVERSIBILITY GUARANTEED

Reinforcement side supports with handles to help moving and positioning the operator and electric brake on the motor shaft.





# C851



## DIMENSIONS AND TECHNICAL CHARACTERISTICS

MODEL	C851
Power supply voltage	220-240V ~ 50/60Hz
Motor	1.1 KW three phase with four poles
Type of gearmotor	Worm screw with oil lubrication
Max. power	1,800 W
Max. torque	168 Nm (*)
Max expressed force	3.000 N (*)
Max. leaf width	20 m
Leaf speed	20 ÷ 40 m/min
Speed adjustment and motor control	On control board
Opening and closing limit switch	Integrated mechanics + magnetic
Pinion	Z28 module 4
Operating ambient temperature	-20°C ÷ +55°C
Thermal protection	75°C
Protection class	IP54
Weight	40 Kg
Dimensions (LxDxH)	510 x 295 x 467 mm
Max. leaf weight	1,800 Kg
Use frequency	100% (T=25 °C)
Electronic equipment	E850S incorporated

(\*) data referred to 230V~ 50Hz.



## HEADQUARTERS

### ITALY

FAAC S.p.A. - Soc. Unipersonale  
Via Calari 10 - 40069 Zola Predosa (BO)  
Tel. +39 051 61724 - Fax +39 051 758518  
it.info@faacgroup.com - www.faacgroup.com

## SUBSIDIARIES

### ASIA - PACIFIC

FAAC MALAYSIA  
MAGNETIC CONTROL SYSTEMS SDN BHD  
Selangor, Malaysia  
tel. +60 3 5123 0033  
www.faac.biz

### AUSTRALIA

FAAC AUSTRALIA PTY LTD  
Homebush – Sydney, Australia  
tel. +61 2 87565644  
www.faac.com.au

### AUSTRIA

FAAC GMBH  
Salzburg, Austria  
tel. +43 662 85333950  
www.faac.at

FAAC BV - TUBULAR MOTORS  
Doetinchem, The Netherlands  
tel. +49 30 5679 6645  
faacbv.info@faacgroup.com  
www.faac-tubularmotors.com

### BENELUX

FAAC BENELUX NV/SA  
Jabbeke, Belgium  
tel. +32 50 320202  
info@faacbenelux.com  
www.faacbenelux.com

FAAC BV  
Doetinchem, The Netherlands  
tel. +31 314 369911  
faacbv.info@faacgroup.com  
www.faacbv.com

### BRAZIL

INDÚSTRIAS ROSSI ELETROMECAÂNICA SA  
Brasília DF, Brazil  
tel. +55 61 33998787  
www.rossiportoes.com.br

### CHINA

FAAC SHANGHAI  
Shanghai, China  
tel. +86 21 68182970  
www.faacgroup.cn

### FRANCE

FAAC FRANCE  
Saint Priest - Lyon, France  
tel. +33 4 72213020  
www.faac.fr

FAAC FRANCE - AGENCE PARIS  
Massy - Paris, France  
tel. +33 4 72213020  
www.faac.fr

FAAC FRANCE - DEPARTEMENT VOLETS  
Saint Denis de Pile - Bordeaux, France  
tel. +33 5 57551890  
www.faac.fr

### GERMANY

FAAC GMBH  
Freilassing, Germany  
tel. +49 8654 49810  
www.faac.de

FAAC BV - TUBULAR MOTORS  
Doetinchem, The Netherlands  
tel. +49 30 5679 6645  
faacbv.info@faacgroup.com  
www.faac-tubularmotors.com

### INDIA

FAAC INDIA  
MAGNETIC AUTOCONTROL PVT LTD.  
Chennai – India  
Tel. +91 44 421 23297  
info@magnetic-india.com  
www.faac.biz

### IRELAND

NATIONAL AUTOMATION LTD  
Co. Roscommon, Ireland  
tel. +353 71 9663893  
www.nal.ie

### MIDDLE EAST

FAAC MIDDLE EAST FZE  
Dubai Silicon Oasis Operation Center - Dubai, UAE  
tel. + 971 4 3724190  
www.faac.ae

### POLAND

FAAC POLSKA SP.ZO.O  
Warszawa, Poland  
tel. +48 22 8141422  
fax +48 22 8142024  
www.faac.pl

### RUSSIA

FAAC RUSSIA  
Moscow, Russia  
tel. +7 (495) 646 24 29  
www.faac.ru

### SCANDINAVIA

FAAC NORDIC AB  
Perstorp, Sweden  
tel. +46 435 779500  
www.faac.se

### SOUTH AFRICA

CENTURION SYSTEMS PTY LTD  
2162 Johannesburg  
tel. +27 11 699 2400  
www.centsys.co.za

### SPAIN

CLEM, S.A.U.  
San Sebastián de los Reyes - Madrid, Spain  
tel. +34 91 3581110  
www.faac.es

### SWITZERLAND

FAAC AG  
Altdorf, Switzerland  
tel. +41 41 8713440  
www.faac.ch

### TURKEY

FAAC OTOMATİK GEÇİŞ SİSTEMLERİ  
SAN. VE TİC. LTD. SİRKETİ  
İstanbul, Turkey  
tel. +90 (0)212 - 3431311  
www.faac.com.tr

### UNITED KINGDOM

FAAC UK LTD.  
Basingstoke Hampshire, UK  
tel. +44 1256 318100  
www.faac.co.uk

### U.S.A.

FAAC INTERNATIONAL INC  
Rockledge, FL - U.S.A.  
tel. +1 866 925 3222  
www.faacusa.com

FAAC INTERNATIONAL INC  
Fullerton, California - U.S.A.  
tel. +1 714 446 9800  
www.faacusa.com

**FAAC**  
*Simply automatic.*

FAAC S.p.A. - Soc. Unipersonale  
Via Calari 10 - 40069 Zola Predosa (BO)  
Tel. +39 051 61724 - Fax +39 051 758518  
it.info@faacgroup.com - www.faac.it